

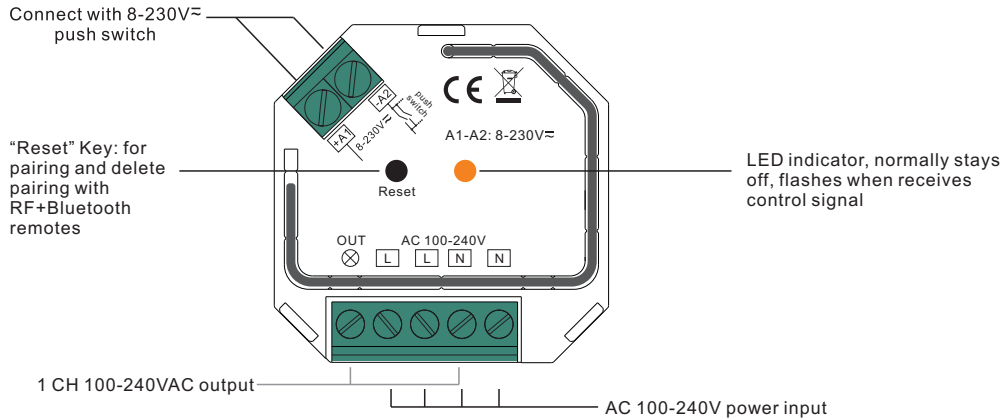
RF+Bluetooth AC In-wall Switch

09.SB09SAP.04736



Important: Read All Instructions Prior to Installation

Function introduction



- AC in-wall switch based on RF+Bluetooth Mesh
- 100-240VAC Wide Input and Output Voltage
- Supports resistive loads and capacitive loads
- 1 Channel Output, Up to 400W
- Input and Output with Screw Terminals, Safe and Reliable
- Enables to control ON/OFF of connected load
- Controlled through both smart App and remote controls, no gateway required
- Easy & quick pairing to the smart App by scanning QR code
- Mesh network, much longer control distance, transmits received signal to neighbor devices
- Up to 30m transmission distance between every two neighbor devices
- Encrypted two-way communication, quick status feedback, safe & reliable data transmission
- Compatible with universal RF+Bluetooth remotes, each LED controller can pair to max. 8 remotes
- Can be controlled by universal 8-230V input single wire push switch
- Mini Size, Easy to be Installed into a standard 86*86mm wall box
- Radio Frequency : 2.4GHz
- Waterproof grade: IP20

Safety & Warnings

- DO NOT install with power applied to device.
- DO NOT expose the device to moisture.

Operation

Pair/delete the pairing with RF+Bluetooth remote

1. Do wiring according to connection diagram.
2. Pair LED controller with RF+Bluetooth remote: please refer to the instruction of the remote that you would like to pair with.
3. Delete the pairing:
 - (1) Wire up the LED controller correctly, power on.
 - (2) Press and hold down the “ **Reset** ” button on the controller for over 3 seconds until the connected light flashes, which means well deleted.

Pair with smart APP

1. Do wiring according to connection diagram.
2. Please refer to the **EasyThings** App user manual for details of adding device.

Controlled by a push switch:

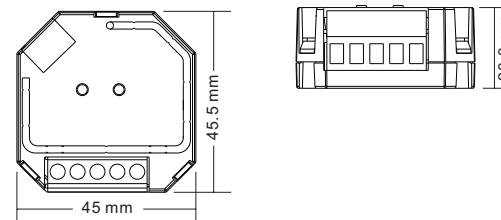
Once connected with a push switch, click the push switch to switch ON/OFF.

Product Data

Input Voltage	Output Voltage	Output Current	Size(LxWxH)
100-240VAC	100-240VAC	1.8A max	45.5x45x20.3mm

Compatible Load Types			
Load Symbol	Load Type	Maximum Load	Remarks
	LED lamps with transformers	200W @ 220V 100W @ 110V	Due to variety of LED lamp designs, maximum number of LED lamps is further dependent on power factor result when connected to switch.
	LED drivers	200W @ 220V 100W @ 110V	Maximum permitted number of drivers is 200W divided by driver nameplate power rating.
	Incandescent lighting, HV Halogen lamps	400W @ 220V 200W @ 110V	
	Low voltage halogen lighting with electronic transformers	200W @ 220V 100W @ 110V	

Product Dimension



Wiring Diagram

Notes for the diagrams:

L - terminal for live lead

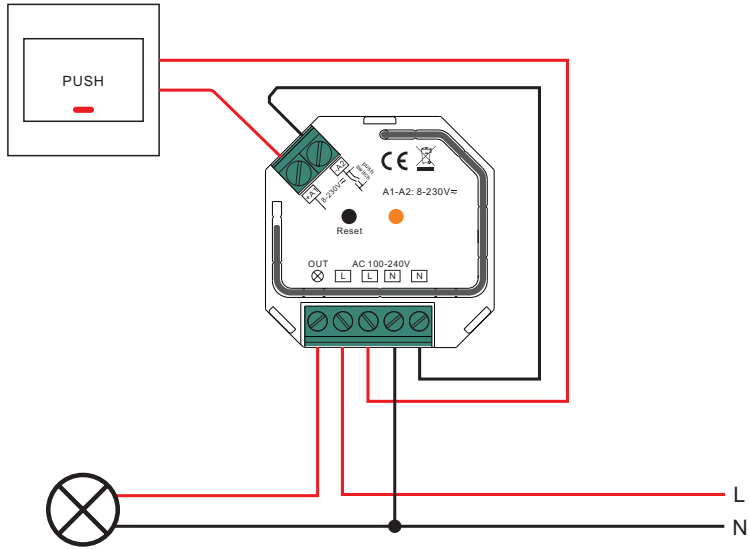
N - terminal for neutral lead

Out - output terminal of the device (controlling connected light source)

+A1 - terminal for push switch

-A2 - terminal for grounding to the push switch connected to the device

1) With Single Push Switch



2) With Multiple Push Switches for Multiple Control Points

