

# Plug-in Type Switch Control Module



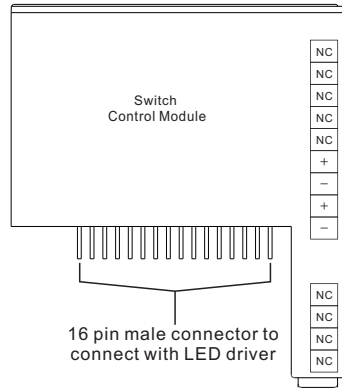
09.09BLKT.04735

## 2.LED Driver Wiring:

Once the control module is assembled to the LED driver, do wiring of LED driver according to the wiring diagram.

**Important:** Read All Instructions Prior to Installation

### Function introduction



### Features

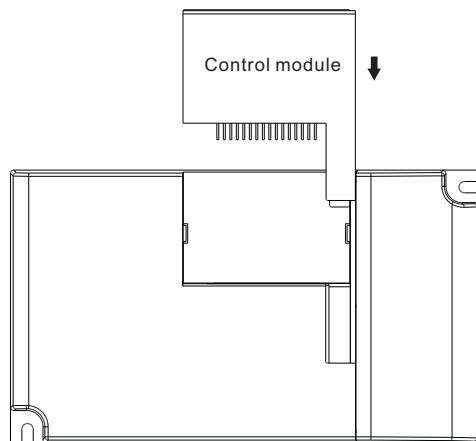
- Works with plug-in control module LED driver
- Switch control module
- Enables to switch on/off the connected LED lights

### Safety & Warnings

- DO NOT assembly the control module with power applied to the LED driver.
- DO NOT expose the module to moisture.
- DO NOT change the control module within 1 minute after powering off the driver to avoid burning-out.

### Operation

#### 1.Assemble the control module



### Wiring diagram

