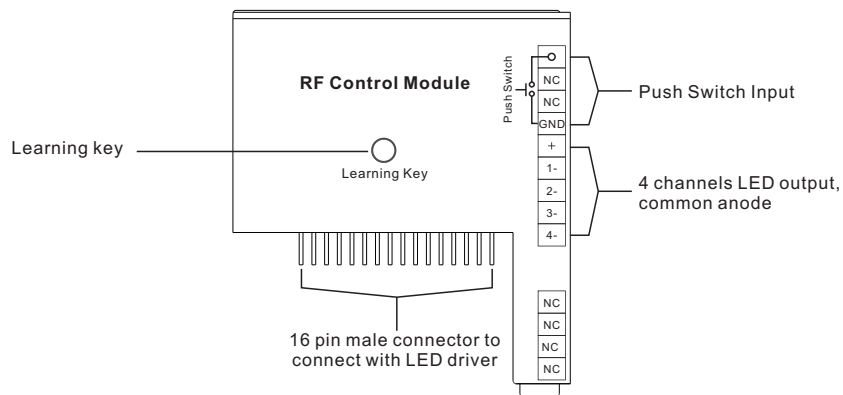


Plug-in Type RF Control Module for 4 Channels Output Drivers 09.09RF4CH.04735



Important: Read All Instructions Prior to Installation

Function introduction



Features

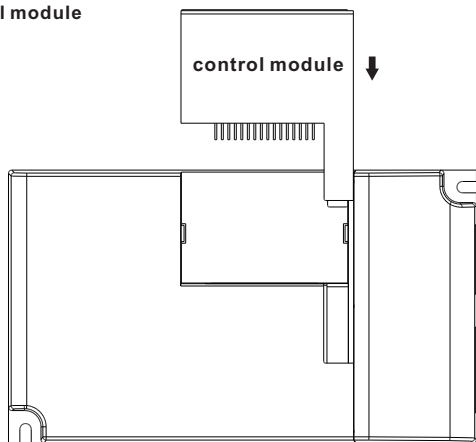
- Works with plug-in control module 4 channels output LED driver
- Enables to control single color, CCT, RGB/RGBW LED lighting
- Built-in RF wireless/PUSH LV dimming interface, radio frequency: 868/869.5/434/916.5MHz
- Receives RF wireless signal
- Easy to pair to RF remotes and mobile devices with learning key
- Can be compatible with a variety of RF remote controls
- Can be WiFi controlled via APP installed on IOS and Android systems
- Signal transmission distance can be up to 30 meters indoor

Safety & Warnings

- DO NOT assembly the control module with power applied to the LED driver.
- DO NOT expose the module to moisture.
- DO NOT change the control module within 1 minute after powering off the driver to avoid burning-out.

Operation

1.Assemble the control module



2.LED Driver Wiring:

Once the control module is assembled to the LED driver, do wiring of LED driver according to the wiring diagram.

Pair/delete the pairing with RF remote

- 1.Pair RF driver with RF remote: please refer to the instruction of the remote that you would like to pair with.
- 2.Delete the pairing:
 - (1)Wire up the RF driver correctly, power on.
 - (2)Press and hold down the “ **Learning Key**” button on receiver for over 3 seconds until the connected light flashes, which means well deleted.

PUSH DIM:

While connected with PUSH LV, click the button to switch ON/OFF lights. Press and hold down the button to increase/decrease light intensity.

Wiring diagram

