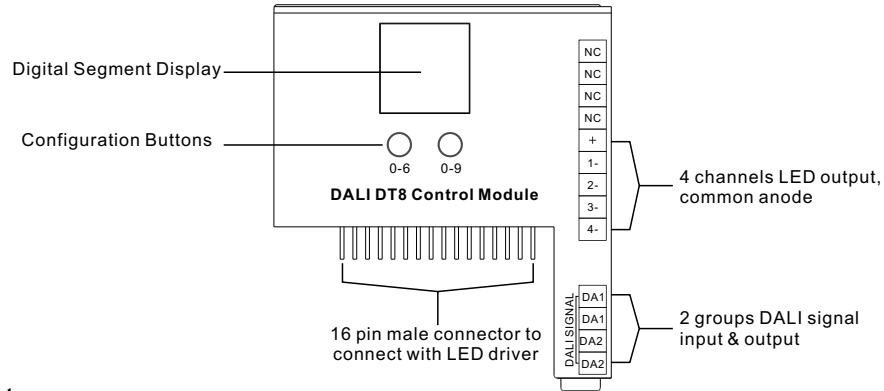


# Plug-in Type DALI DT8 Control Module for 4 Channels Output LED Drivers 09.09DALIDT84CH.04735



**Important:** Read All Instructions Prior to Installation

## Function introduction



## Features

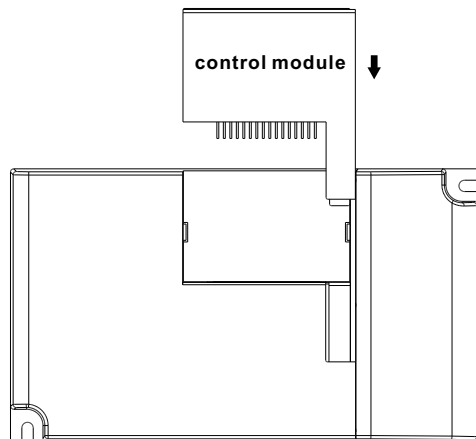
- Works with plug-in control module 4 channels output LED drivers
- Built-in DALI (device type 8) dimming interface
- Complies with DALI standards IEC62386-209:2011
- DALI device type 8 for RGBW, each device controlled via a single DALI address
- Color changing according to DALI specification Device Type 8, Color Type RGBW
- Compatible with universal DALI masters that supports device type 8 commands

## Safety & Warnings

- DO NOT assemble the control module with power applied to the LED driver.
- DO NOT expose the module to moisture.
- DO NOT change the control module within 1 minute after powering off the driver to avoid burning-out.

## Operation

### 1.Assemble the control module



### 2.LED Driver Wiring:

Once the control module is assembled to the LED driver, do wiring of LED driver according to the wiring diagram.

### 3.Set DALI Address Manually Via Buttons:



- 3.1. Press and hold down any of the two buttons until numeric digital display flashes, then release the button.
- 3.2. Click any of the two buttons once to select a digit, click again to change the digit until the desired DALI address appears. Click first button to set "tens" position and second button to set "units" position. The address can be set from 00~63.
- 3.3. Then press and hold down any of the 2 buttons until the numeric digital display stops flashing to confirm the setting.

**Note:** DALI address can be manually assigned from 00-63-FF, by factory defaults, no DALI address is assigned for the dimmer, and the display shows **FF**. Setting DALI address as **FF** will reset the dimmer to factory defaults.

### 4. DALI Address Assigned by DALI Masters

DALI address can also be assigned by DALI Master controller automatically, please refer to user manuals of compatible DALI Masters for specific operations.

**Note:** The digital display will show **AU** When the DALI master is assigning addresses.

## Wiring diagram

