

96W DALI DT8 LED Driver(constant voltage)

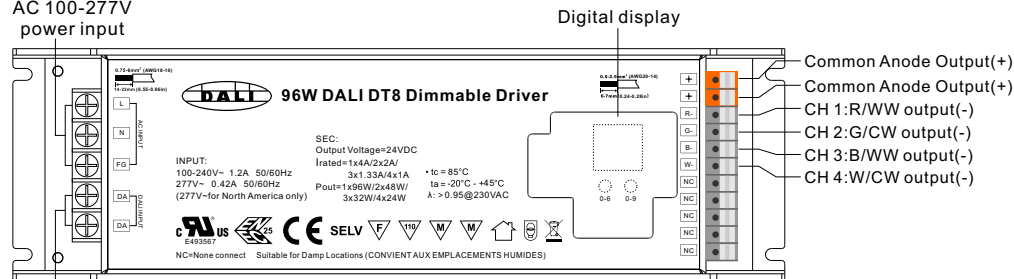
09.DA962DT8.04764



Important: Read All Instructions Prior to Installation

Function introduction

AC 100-277V
power input



DALI Signal input

Product Data

| | | |
|---------|---------------------------|---|
| Output | LED Channel | 4 |
| | DC Voltage | 24V DC |
| | Max. Current | Max. 4A/CH, CH1+CH2+CH3+CH4=4A |
| | Voltage Tolerance | ±1% |
| | Rated Power | max. 96W |
| Input | Voltage Range | 100-277V AC |
| | Frequency Range | 50/60Hz |
| | Power Factor (Typ.) | > 0.98 @ 230VAC |
| | Total Harmonic Distortion | THD ≤ 15% (@ full load / 230VAC) |
| | Efficiency (Typ.) | 91% @ 230VAC full load |
| | AC Current (Typ.) | 1.2A @ 100VAC, 0.5A @ 230VAC, 0.5A@277VAC |
| | Inrush Current (Typ.) | COLD START Max. 50A at 230VAC |
| | Leakage Current | < 0.5mA /230VAC |
| Control | Standby Power Consumption | < 1W |
| | Dimming Interface | DALI (Device Type 8) |
| | Dimming Range | 0%-100% |
| | Dimming Method | Pulse Width Modulation |
| | Dimming Curve | Logarithmic |

| | | |
|--------------|--------------------------|---|
| Protection | Over Current | Yes, recovers automatically after fault condition is removed |
| | Over Temperature | Yes, recovers automatically after fault condition is removed |
| Environment | Working Temp. | -25°C ~ +45°C |
| | Max. Case Temp. | 90°C |
| | Working Humidity | 10% ~ 95% RH non-condensing |
| | Storage Temp. & Humidity | -40°C ~ +80°C, 10% ~ 95% RH |
| Safety & EMC | Safety Standards | UL8750, CAN/CSA C22.2 No. 250.13-14, EN61347-1, EN61347-2-13 approved |
| | Withstand Voltage | I/P-O/P: 3.75KVAC |
| | Isolation Resistance | I/P-O/P: 100M Ohms / 500VDC / 25°C / 70% RH |
| | EMC Emission | EN55015, EN61000-3-2, EN61000-3-3 |
| | EMC Immunity | EN61547, EN61000-4-2,3,4,5,6,8,11, surge immunity Line-Line 1KV |
| | Others | MTBF |

- Dimmable LED driver with rectangle metal case
- 4 channels 24VDC constant voltage output
- Class II power supply, full isolated metal case
- Built-in two-stage active PFC function
- PF > 0.98, Efficiency > 91%
- Low standby power < 1W
- Built-in DALI (device type 8) dimming interface
- Complies with DALI standards IEC62386-209:2011
- Color control as defined in the DALI specification device type 8
- Any of the three color types RGBW, XY Coordinates, Tc can be preset by factory setting
- Supports DT8 device commands, compatible with DALI masters that support DT8 commands
- Configuration via DALI master USB interface
- Control of four PWM outputs via a single DALI address
- Compliant with Safety Extra Low Voltage standard
- Over load, over temperature protection
- IP20 rating, suitable for indoor LED lighting applications
- 5 years warranty

Safety & Warnings

- DO NOT install with power applied to the device.
- DO NOT expose the device to moisture.

Operation

1.Set DALI Address Manually Via Buttons



- 1.1 Press and hold down any of the two buttons until numeric digital display flashes, then release the button.
- 1.2 Click any of the two buttons once to select a digit, click again to change the digit until the desired DALI

address appears. Click first button to set "tens" position and second button to set "units" position. The address can be set from 00-63.

1.3 Then press and hold down any of the 2 buttons until the numeric digital display stops flashing to confirm the setting.

Note: DALI address can be manually assigned from 00-63-FF, by factory defaults, no DALI address is

assigned for the driver, and the display shows **FF**. Setting DALI address as **FF** will reset the dimmer to factory defaults.

2. DALI Address Assigned by DALI Masters

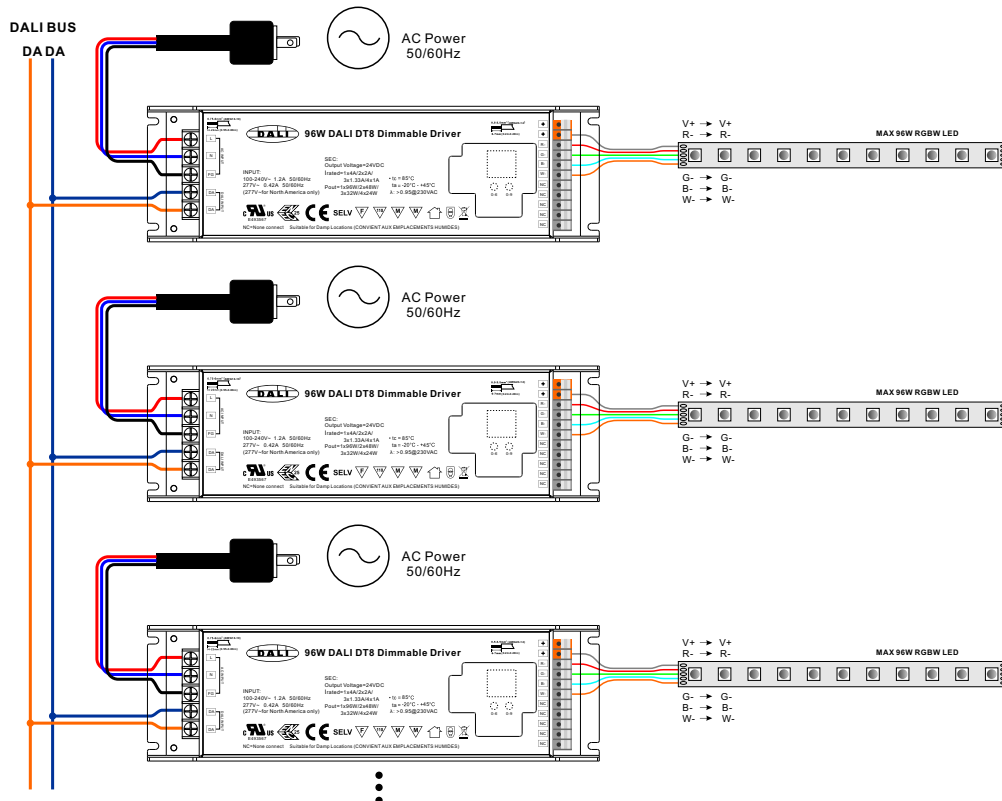
2.1 DALI address can also be assigned by DALI Master controller automatically, please refer to user manuals of compatible DALI Masters for specific operations.

Note: The digital display will show AU when the DALI master is assigning addresses.

3. Once an address is selected, all four channels' address will be the same. For example, if the dimmer is addressed to 22 on the display then CH1, CH2, CH3 and CH4 will be the same address 22.

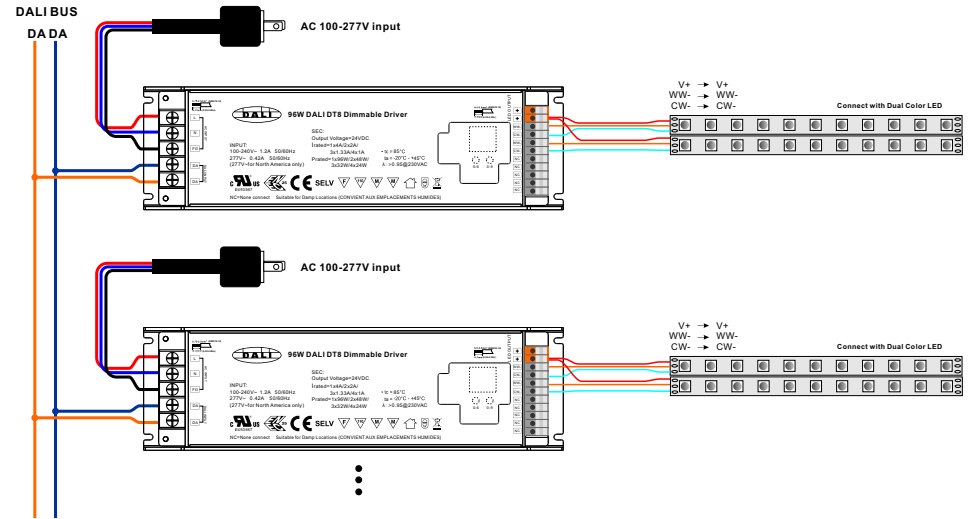
Wiring diagram

1. When Preset Color Type is RGBW or XY coordinates



- Note:**
- 1) DT8 color type of the driver can be RGBW or XY coordinates, which can be preset by factory setting.
 - 2) For color type XY coordinates, the 4th W channel can only be controlled together with RGB channels.
 - 3) Only when the coordinate point at the area where R, G, B three colors mix color will W channel turn on.
 - 4) W channel intensity will go up only as R, G, B three colors' intensity goes up simultaneously.
 - 5) W channel intensity will go down only as R, G, B three colors' intensity goes down simultaneously.
 - 6) If controlled by XY type touch panel, use W button on the panel to mix RGB thus turn on 4th channel W.

2. When Preset Color Type is Tc



Product Dimension

