

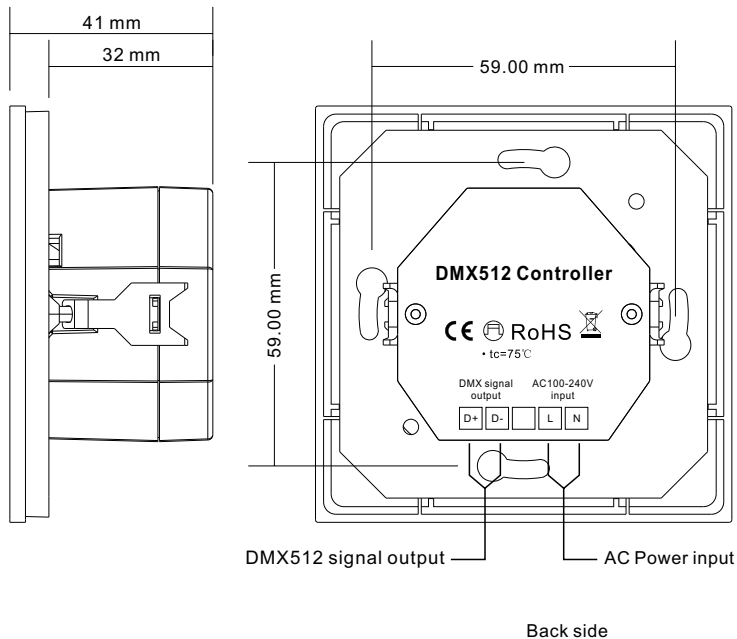
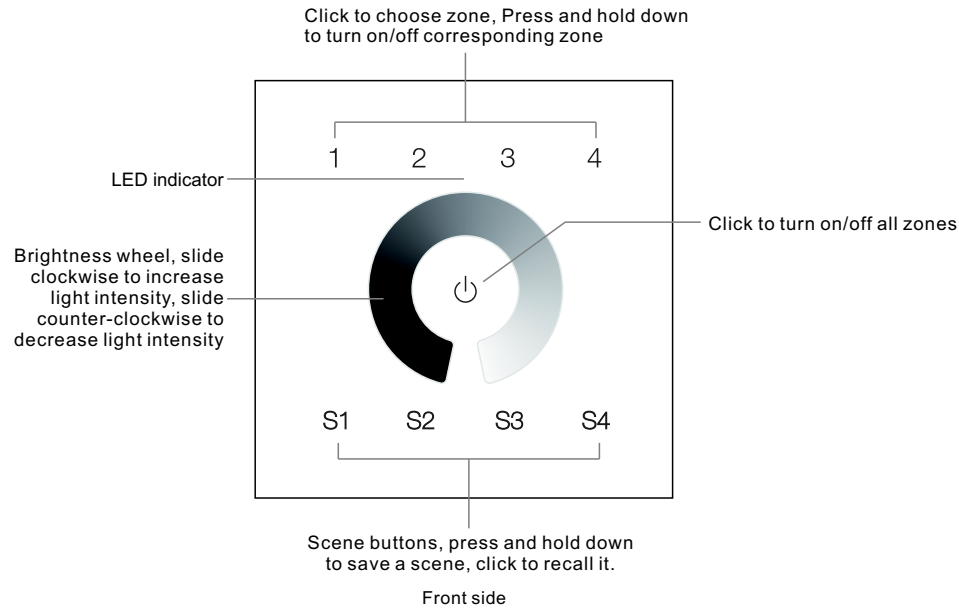
DMX512 Wall Mounted Single Color Controller

09.02822AC4.04154



Important: Read All Instructions Prior to Installation

Function introduction



Product Data

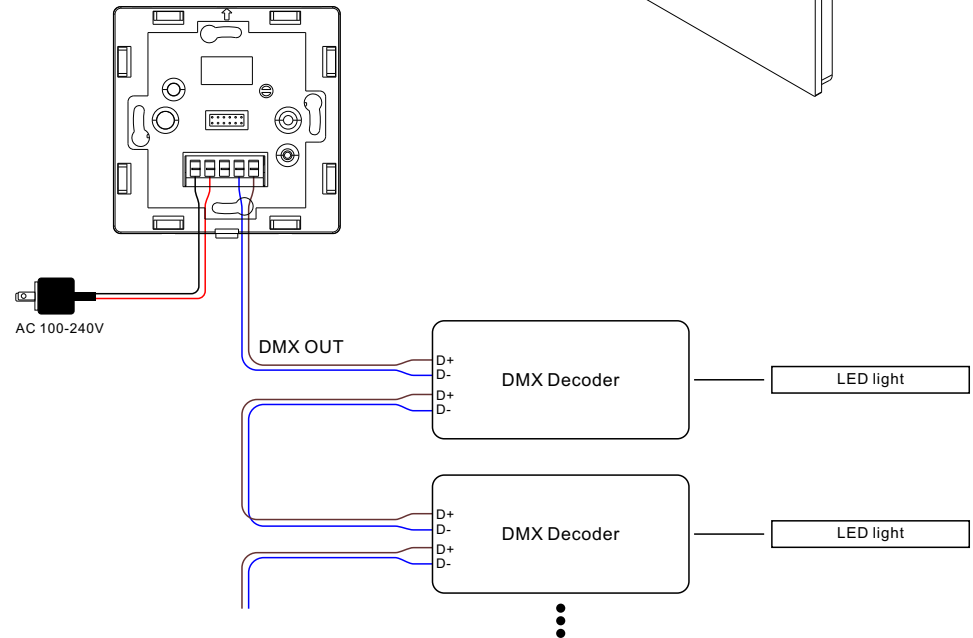
Output Signal	DMX512 signal
Power Supply	100-240VAC
Power consumption	15 mA
Operating temperature	0-40°C
Relative humidity	8% to 80%
Dimensions	86x86x41mm

- Touch sensitive
- Glass interface(white & black)
- Standard DMX512 Signal output
- Control single color
- Control 4 zones/areas
- Waterproof grade: IP20

Safety & Warnings

- DO NOT install with power applied to device.
- DO NOT expose the device to moisture.

Wiring diagram



Set DMX Address

This DMX master controller controls 4 zones of DMX decoders by setting DMX decoders' address as follows:
 DMX decoders with address 001 will be controlled by zone 1,
 DMX decoders with address 005 will be controlled by zone 2,
 DMX decoders with address 009 will be controlled by zone 3,
 DMX decoders with address 013 will be controlled by zone 4.

Installation

