

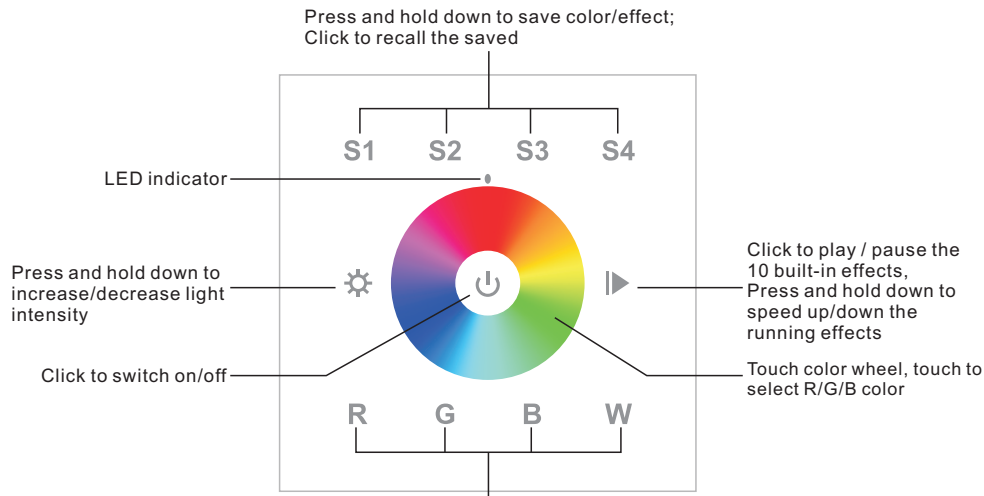
# RF RGBW Wall Mounted Controller

70010041

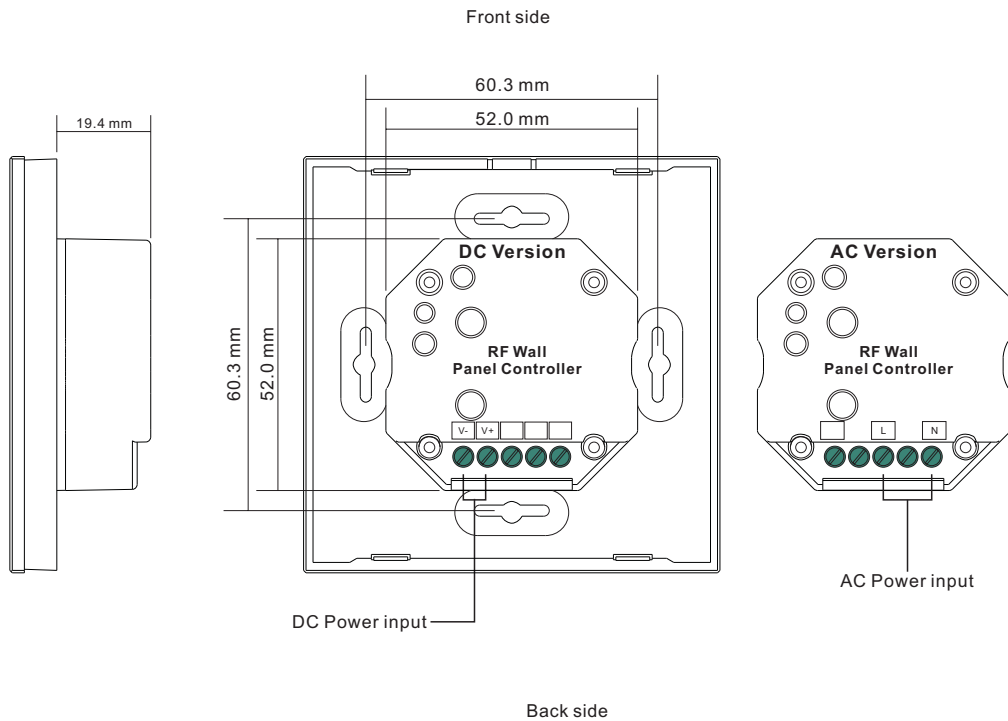


**Important:** Read All Instructions Prior to Installation

## Function introduction



**R/G/B/W 4channels:** Click to turn off/on the channel  
Press and hold down to increase/decrease light intensity of each channel



## Product Data

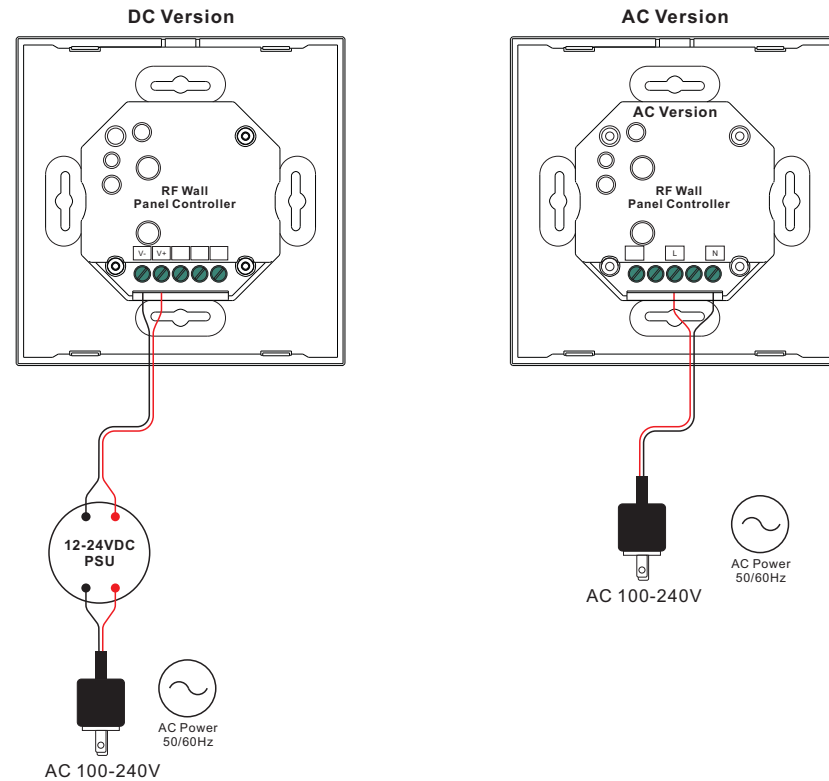
|                       | DC Version   | AC Version   |
|-----------------------|--------------|--------------|
| Output Signal         | RF signal    | RF signal    |
| Power Supply          | 12-24VDC     | 100-240VAC   |
| Power consumption     | < 20 mA      | < 15 mA      |
| Operating temperature | 0-40°C       | 0-40°C       |
| Relative humidity     | 8% to 80%    | 8% to 80%    |
| Dimensions            | 86x86x29.1mm | 86x86x29.1mm |

- Touch sensitive
- Glass interface(white & black)
- Compatible with all universal series RF receivers
- Control 1 Zone of RGBW LED lighting
- Radio frequency: 869.5/434MHz
- Waterproof grade: Ip20


## Safety & Warnings

- DO NOT install with power applied to device.
- DO NOT expose the device to moisture.

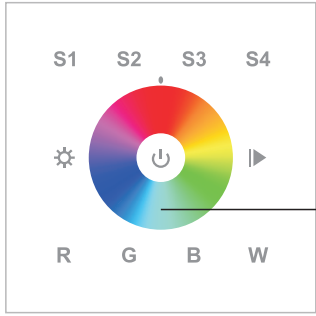
## Wiring diagram



## Operation

1. Do wiring the wall panel & RF receiver according to wiring diagram (please refer to the instruction of RF receiver that you would like to pair with)
2. Power on, then touch the button  to turn on the controller, indicator of the controller turned blue

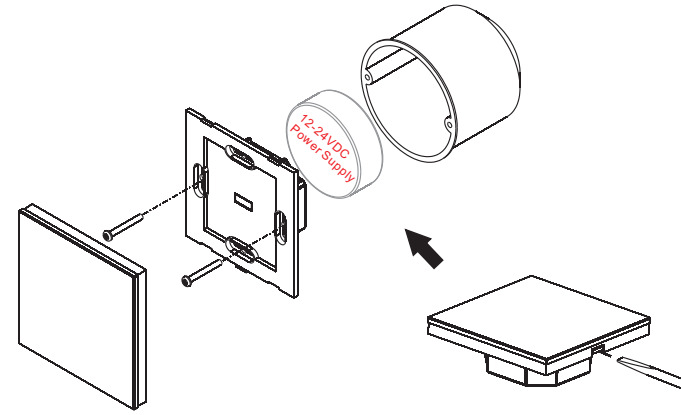
## Pair with RF receiver



**Step 1:** Click the "Learning Key" button on RF receiver or re-power on the receiver three times continuously to set it into pairing status

**Step 2:** Touch the color wheel, LED lights connected with the RF receiver flicker once means the receiver is paired with the wall panel successfully.

## Installation



## Built-in 10 color changing modes are as follows:

- Mode 1: Any two colors of RGB mix fade-in & fade-out
- Mode 2: RGB three colors mix fade-in & fade-out
- Mode 3: RGB three colors mix fade-out & fade-in
- Mode 4: RGB flash
- Mode 5: RGB three colors fade-in & fade-out successively
- Mode 6: RGB three colors fade-in successively
- Mode 7: RGB three colors fade-out successively
- Mode 8: RGB three colors jump changing successively
- Mode 9: R&B two colors mix fade (R in B out), then G fade-in, then R&B mix fade (R out B in), then G fade-out
- Mode 10: B fade-out, then G&B mix fade (G out B in), then R&G mix fade (R out G in), then R fade-in

