

RGBW DMX512+RF Controller

09.2811E+RF.04146



Important: Read All Instructions Prior to Installation

Function introduction

Press and hold down to speed down the running effects

Press and hold down to speed up the running effects

Click to play / pause the 10 built-in effects

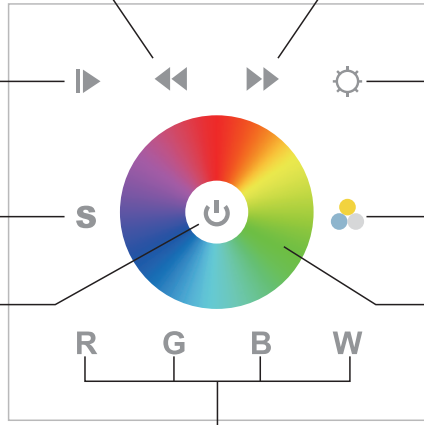
Press and hold down to increase/decrease light intensity

Press and hold down to save color/effect; Click to recall the saved

Click to select Warm White, Natural White and Cool White mixed by RGB colors

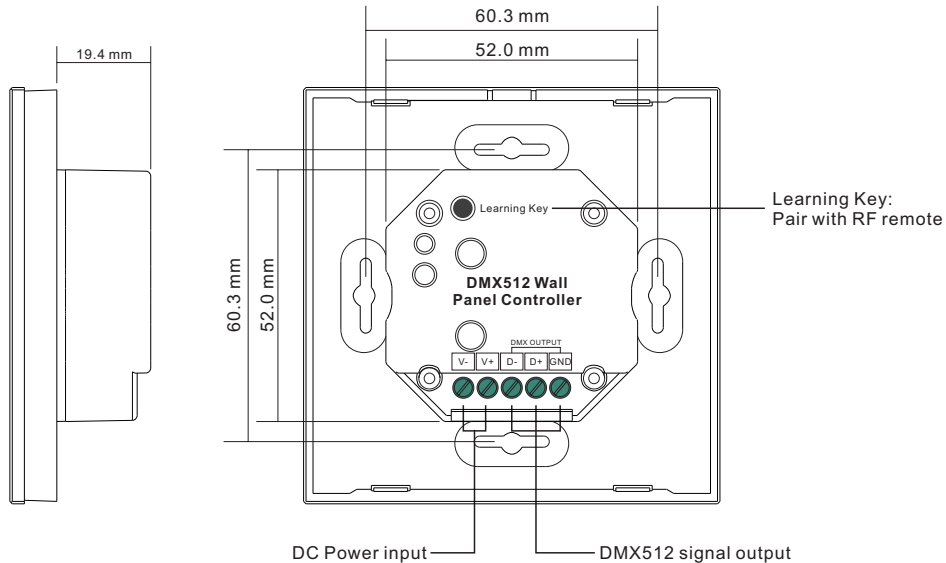
Click to switch on/off

Touch color wheel, touch to select R/G/B color



R/G/B/W 4channels: Click to turn off/on the channel
Press and hold down to increase/decrease light intensity of each channel

Front side



Back side

Product Data

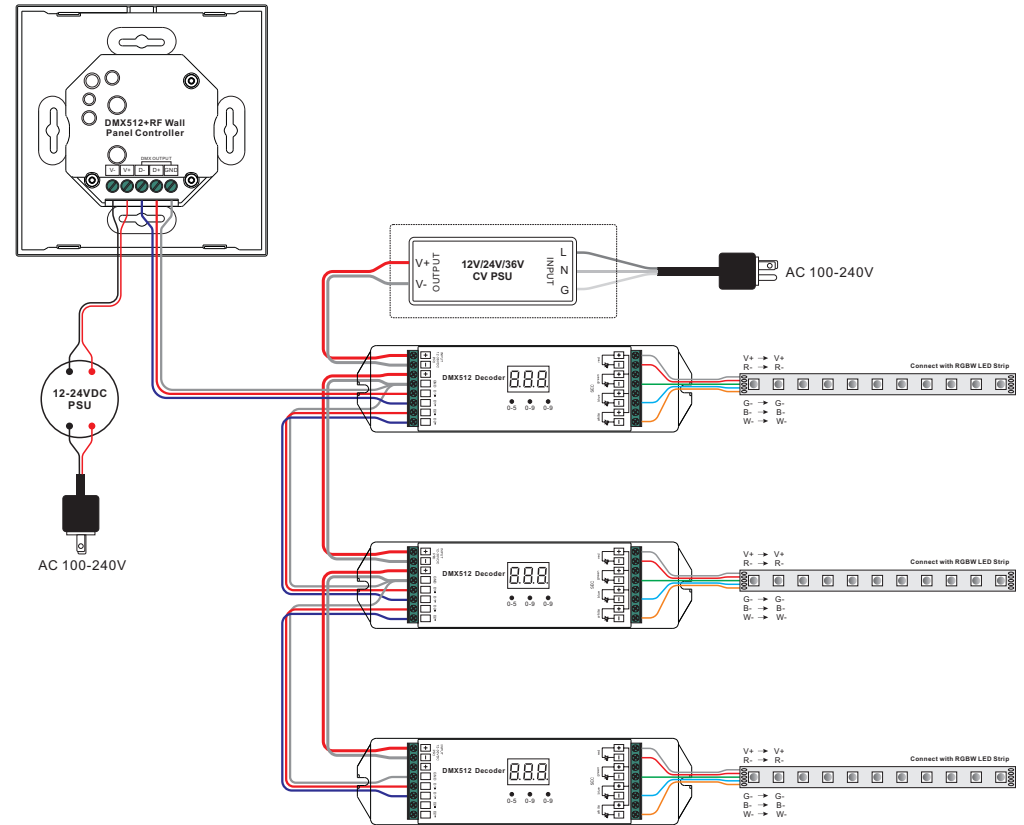
Output Signal	DMX512 signal
Power Supply	12-24VDC
Power consumption	200 mA
Operating temperature	0-40°C
Relative humidity	8% to 80%
Dimensions	86x86x29.1mm

- Touch sensitive
- Glass interface(white & black)
- Standard DMX512 Signal output
- Control RGBW color
- Control 1 zone/area
- Waterproof grade: IP20

Safety & Warnings

- DO NOT install with power applied to device.
- DO NOT expose the device to moisture.

Wiring diagram



Set DMX Address

One DMX master controller can control many DMX Decoders, set all DMX decoders' address as 001.
Note: one DMX Decoder has 4 channels, so it occupies 4 DMX addresses 001, 002, 003, 004.

Operation

Pair with RF remote:

Click “**Learning Key**” on the back of the wall panel controller → Turn on RF remote, select a zone, touch color wheel → LED lights connected with the DMX decoder will flicker once

→ The wall panel is paired with the RF remote successfully.

How to delete the pairing:

Power on the wall panel controller, press and hold down the “**Learning Key**” on the back of the wall panel controller over 3 seconds until the LED lights connected with DMX decoder flickers.

Installation

