

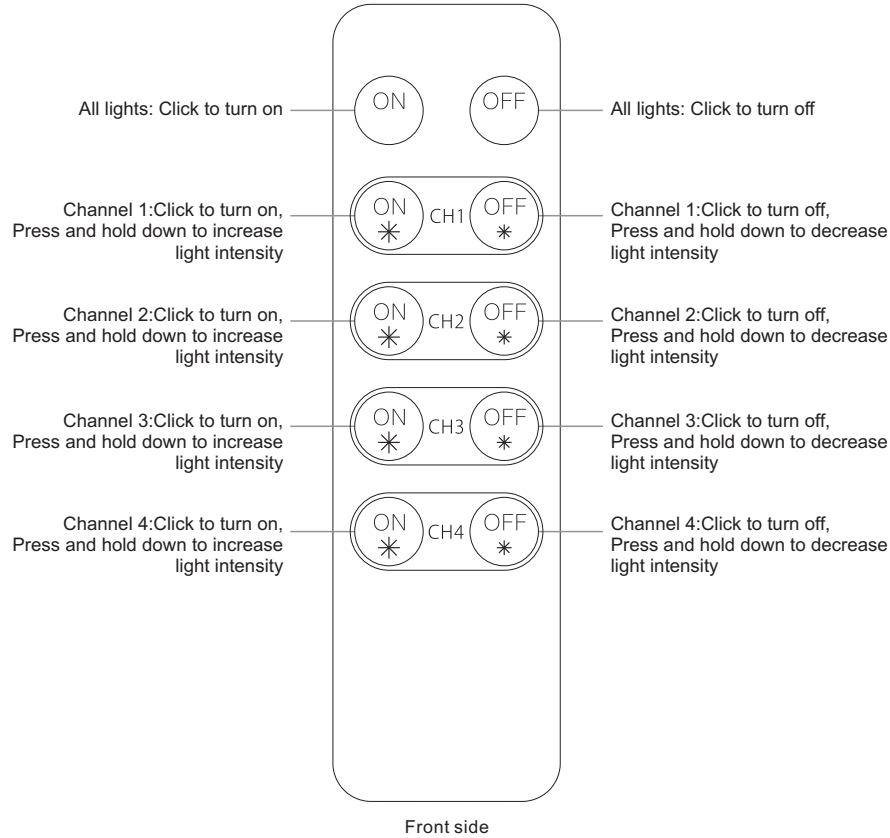
RF Single Color Remote Controller

70010104

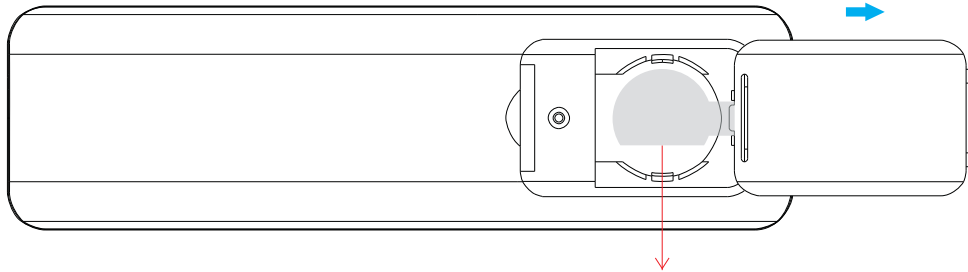


Important: Read All Instructions Prior to Installation

Function introduction



Front side



Note: Before the first use, please remove the protective film on the battery.

Back side

Product Data

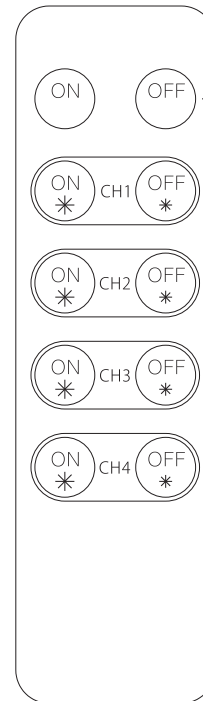
Output	RF signal
Operation Frequency	868/915/434MHz
Power Supply	3V(1xCR2025 battery)
Operating temperature	0-40°C
Relative humidity	8% to 80%
Dimensions	136.3x38.9x10.7mm

- Control 4 channels of one receiver separately
- Single color controller
- Compatible with all universal series RF receivers
- 1 receiver can be paired by max 8 different remote controls.
- Waterproof grade: IP20

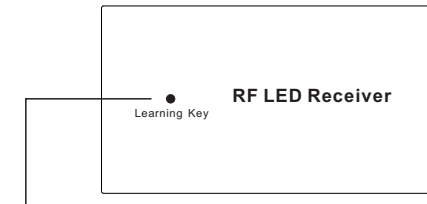
Safety & Warnings

- This device contains a button lithium battery that shall be stored and disposed properly.
- DO NOT expose the device to moisture.

Pair with RF receiver



Step 1: Do wiring the RF receiver according to wiring diagram (please refer to the instruction of RF receiver that you would like to pair with).



Step 2: Click the "Learning Key" button on RF receiver or re-power on the receiver three times continuously to set it into pairing status

Step 3: Click ON or OFF of all lights, LED lights connected with the RF receiver flicker once means the receiver is paired with the remote successfully.

After pairing, click or hold * or * of ch1/ch2/ch3/ch4 to control each channel of the receiver separately, If the receiver has less than four channels, the receiver will not react when operating the extra channels.

Note: one receiver can be paired with max 8 remote controls.