

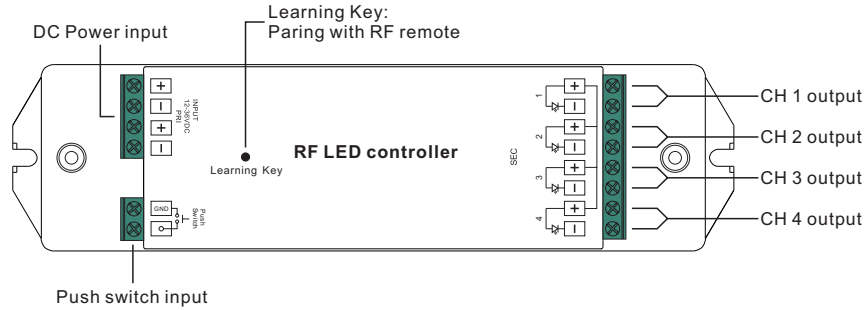
Universal series RF Receiver

70020033



Important: Read All Instructions Prior to Installation

Function introduction



Product Data

No.	Input Voltage	Output Current	Output Power	Connector Current Rating	Wire Size	Remarks	Size(LxWxH)
1	12-36VDC	4x5A	4x(60-180)W	Max. 10A	0.32-3.3mm ² (12-22AWG)	Constant voltage	178x46x22mm
2	12-36VDC	4x350mA	4x(4.2-12.6)W	Max. 10A	0.32-3.3mm ² (12-22AWG)	Constant current	178x46x22mm
3	12-36VDC	4x700mA	4x(8.4-25.2)W	Max. 10A	0.32-3.3mm ² (12-22AWG)	Constant current	178x46x22mm

- Radio Frequency : 868/915/434mhz
- Waterproof grade: IP20

Safety & Warnings

- DO NOT install with power applied to device.
- DO NOT expose the device to moisture.

Pair/delete the pairing with RF remote

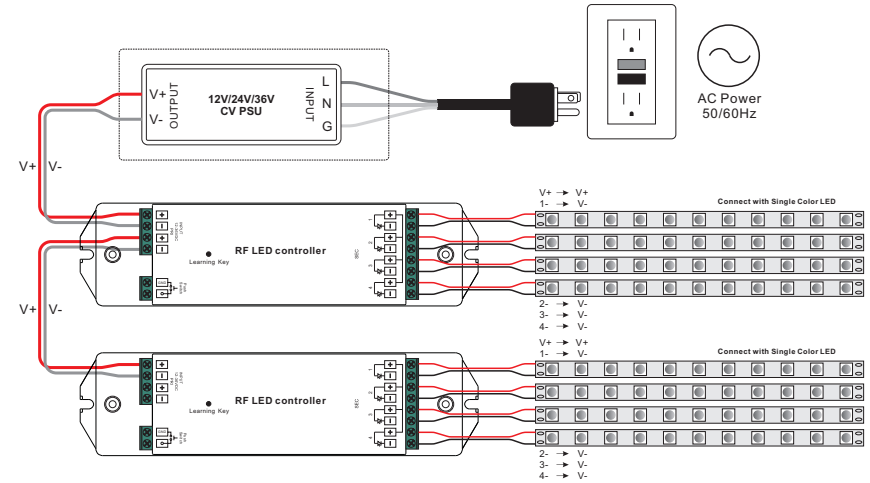
1. Do wiring according to connection diagram.
2. Pair RF Receiver with RF remote: please refer to the instruction of the remote that you would like to pair with.
3. Delete the pairing:
 - (1) Wire up the RF receiver correctly, power on.
 - (2) Press and hold down the " **Learning Key** " button on receiver for over 3 seconds until the connected light flashes, which means well deleted.

PUSH DIM:

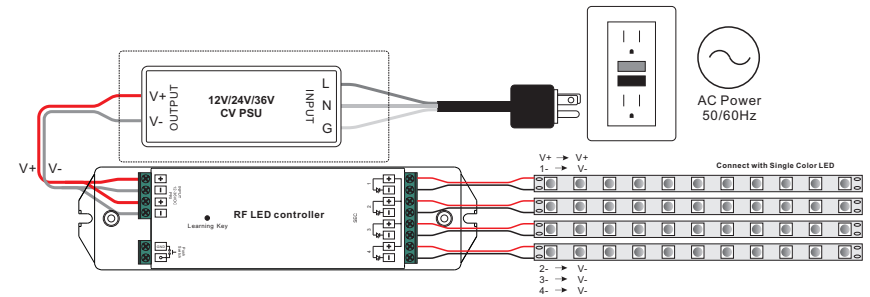
When connected to Push Switch, click push switch for switch ON/OFF, hold push switch to dim up/down the brightness

Wiring diagram

1) When total load of each receiver is not over 10A

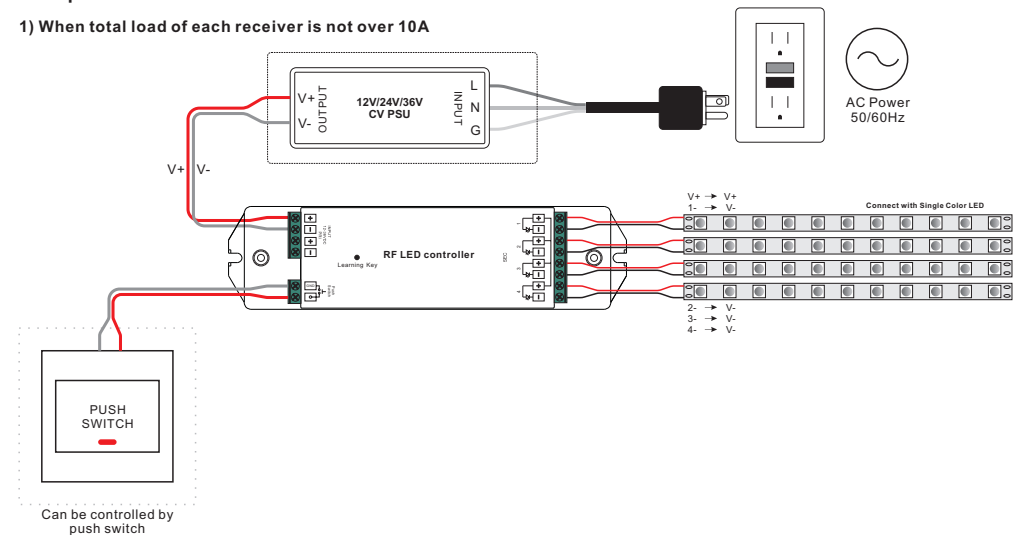


2) When total load of each receiver is over 10A

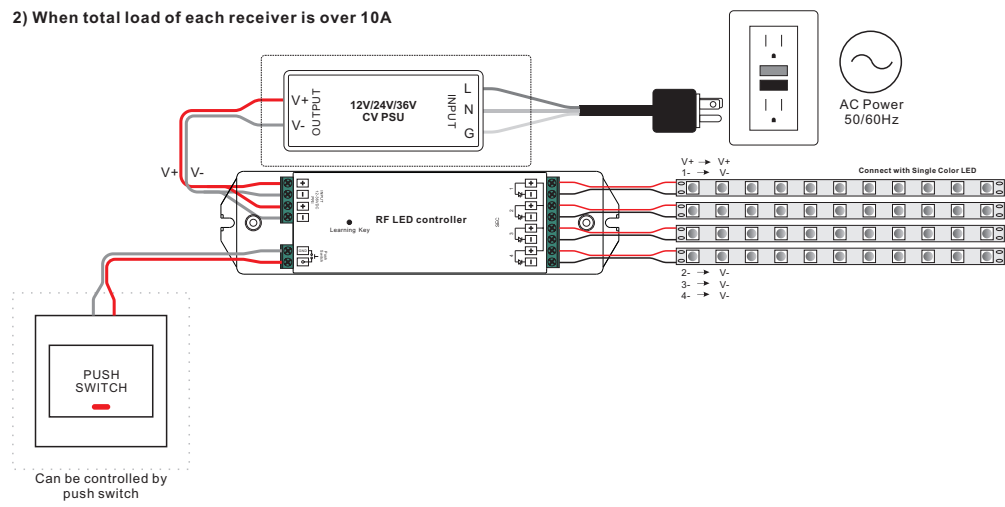


With push switch

1) When total load of each receiver is not over 10A



2) When total load of each receiver is over 10A



Product Dimension

