

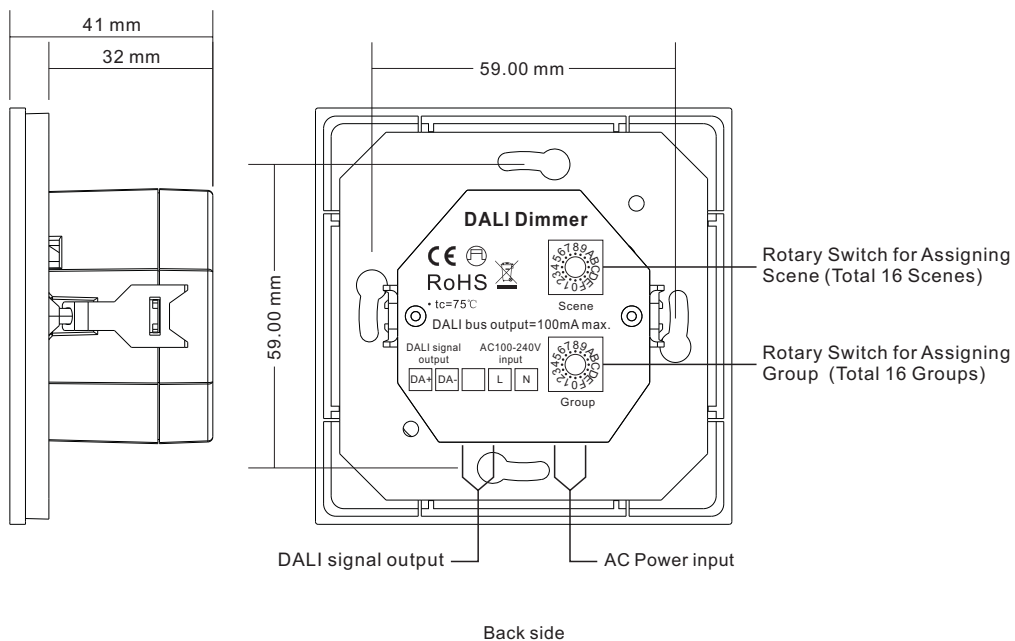
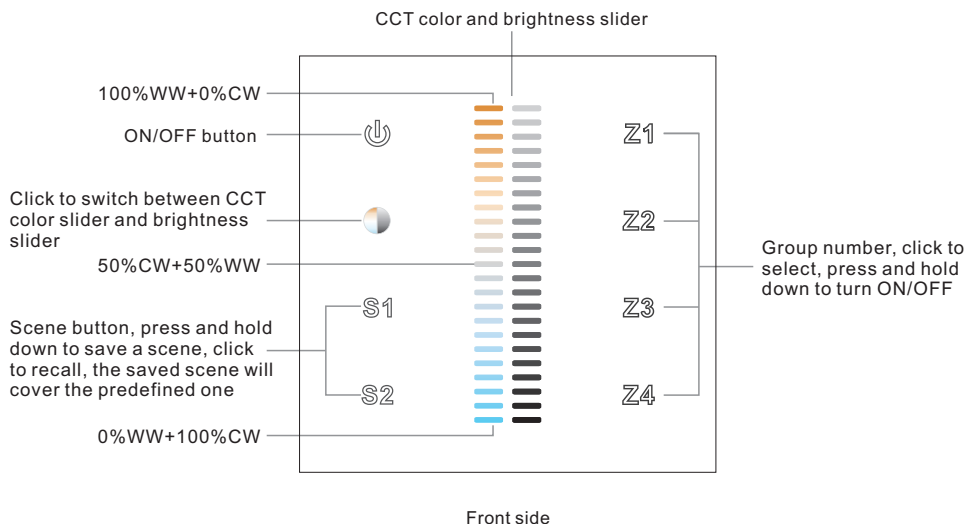
# DT8 DALI Dual Color Touch Controller

70030095



**Important:** Read All Instructions Prior to Installation

## Function introduction



## Product Data

Power supply	100-240VAC/DALI bus
Output	DALI signal
Operation current	<15 mA
DALI bus output	100 mA max.
DALI consumption	4 mA
Operating temperature	0-40°C
Relative humidity	8% to 80%
Dimensions	86x86x41mm
Waterproof grade	IP20

- Touch sensitive.
- Glass interface(white & black).
- Comply to DALI standard protocol IEC 62386-102, IEC 62386-207, IEC 62386-209 and in compliance with DALI products from other international incorporation.
- Built-in 100mA DALI power supply to power up to max. 50 DALI ECGs.
- Powered by DALI bus while not connected to AC mains.
- Max. 100 DALI ECGs on a DALI line can be controlled by 4 control panels via broadcast (2 by AC mains, 2 by DALI bus).
- Enable to control 4 DALI Groups and 2 DALI Scenes.
- Enable to set start DALI group number (0-15) and scene number (0-15) by rotary switches on the back.
- Supports DT8 devices
- Color temperature adjustment according to DALI specifications of Device Type 8, Color Type Tc.
- Each DT8 device is controlled via a single DALI address

## Safety & Warnings

- DO NOT install with power applied to device.
- DO NOT expose the device to moisture.

## Operation

### 1. Set starting Group number via rotary switch on the back: (0-15 selectable)

• This DALI touch panel controller enables dimming commands and DT8 commands to be sent to 4 Groups of devices on the DALI circuit. A rotary switch on the back is used to select Groups you would like to control and set the starting Group number, and total 16 Groups (0-15) can be selected.

• When the rotary switch arrow position is at 0, Z1 controls all DALI devices on the circuit via broadcast, Z2 controls DALI Group 0, Z3 controls Group 1, and Z4 controls Group 2.

• When the rotary switch arrow position is at X except 0 (1-C), Z1 controls DALI Group X-1, Z2 controls Group X, Z3 controls Group X+1, and Z4 controls Group X+2.

• When the rotary switch arrow position is at D, Z1 controls devices in DALI Group 12, Z2 controls devices in DALI Group 13, Z3 controls devices in DALI Group 14, and Z4 controls all devices through broadcast.

• When the rotary switch arrow position is at E, Z1 controls devices in DALI Group 13, Z2 controls devices in DALI Group 14, Z3 controls all devices through broadcast, Z4 controls devices in DALI Group 0.

• When the rotary switch arrow position is at F, Z1 controls devices in DALI Group 14, Z2 controls all devices through broadcast, Z3 controls devices in DALI Group 0, Z4 controls DALI group 1.

**Note:** all DALI slaves on the circuit shall be assigned to one or more DALI groups by DALI master first. Please refer to the detailed Group setting table as follows:

Rotary Switch Position	0	1	2	3	4	5	6	7	8	9	A	B	C	D	E	F
DALI Group for Z1	Broadcast	0	1	2	3	4	5	6	7	8	9	10	11	12	13	14
DALI Group for Z2	0	1	2	3	4	5	6	7	8	9	10	11	12	13	14	Broadcast
DALI Group for Z3	1	2	3	4	5	6	7	8	9	10	11	12	13	14	Broadcast	0
DALI Group for Z4	2	3	4	5	6	7	8	9	10	11	12	13	14	Broadcast	0	1

**2. Set starting Scene number via rotary switch on the back: (0-15 selectable)**

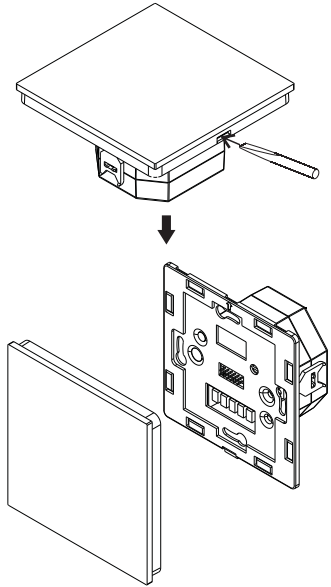
• This DALI touch panel controller enables Scene selection commands for up to 2 Scenes to be sent to the DALI circuit. A rotary switch on the back is used to select Scenes you would like to control and set the starting scene number, and total 16 Scenes (0-15) can be selected.

• When the rotary switch arrow position is at X (0-15), Scene button S1 controls Scene X, and S2 controls Scene X+1.

Please refer to the detailed Scene setting table as follows:

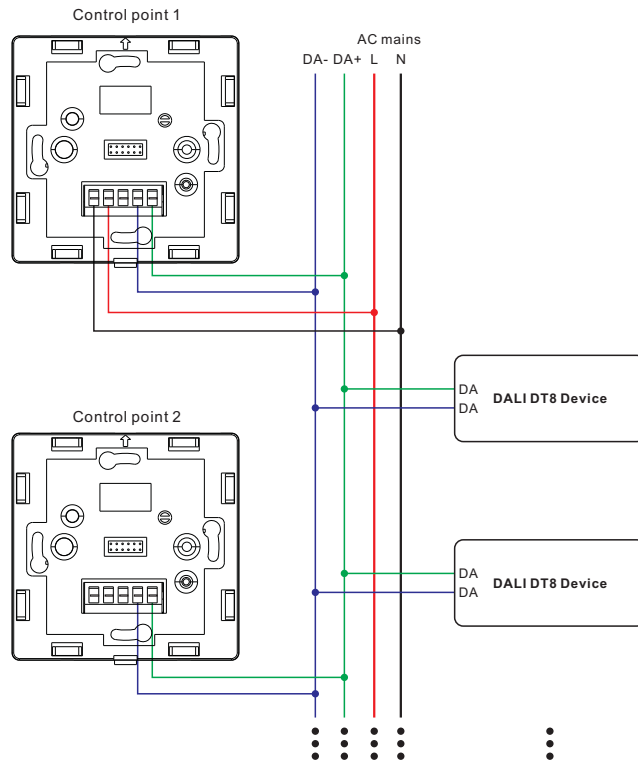
Rotary Switch Position	0	1	2	3	4	5	6	7	8	9	A	B	C	D	E	F
Scene assigned to S1	0	1	2	3	4	5	6	7	8	9	10	11	12	13	14	15
Scene assigned to S2	1	2	3	4	5	6	7	8	9	10	11	12	13	14	15	0

**Installation**

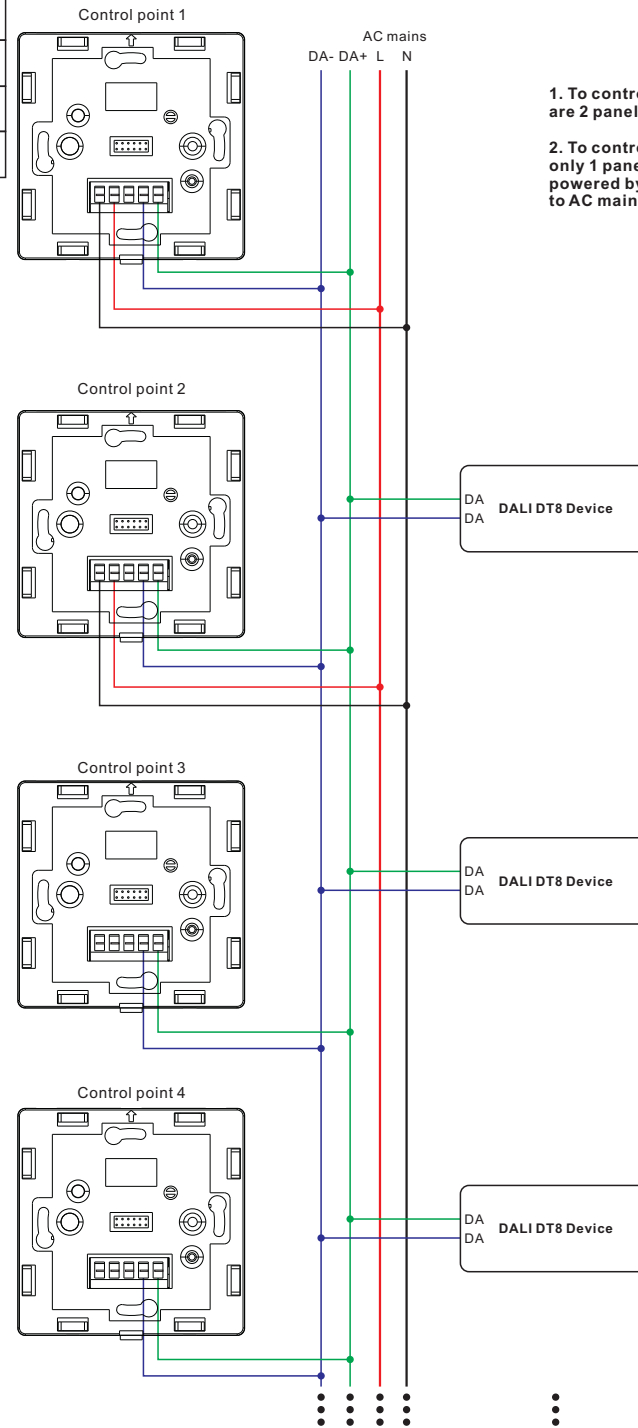


**Wiring diagram**

**Figure 1: Wiring scheme to control up to 50 DALI ECG via broadcast or control 4 DALI groups.**



**Figure 2: Wiring scheme with 2 DALI panels powered by AC mains to control up to 100 DALI ECG via broadcast or control 4 DALI groups.**



1. To control up to 100 ECG with the setup (Figure 2), there are 2 panels connected to AC mains.
2. To control up to 50 ECG with the setup (Figure 1), there is only 1 panel connected to AC mains. Other panels are powered by DALI bus. Max. 2 DALI panels can be connected to AC mains in the same control circuit.