

# DALI Single Color Touch Controller

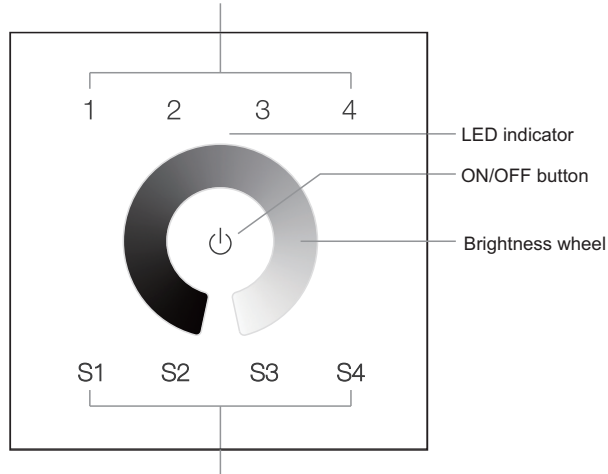
09.230TD6.04069



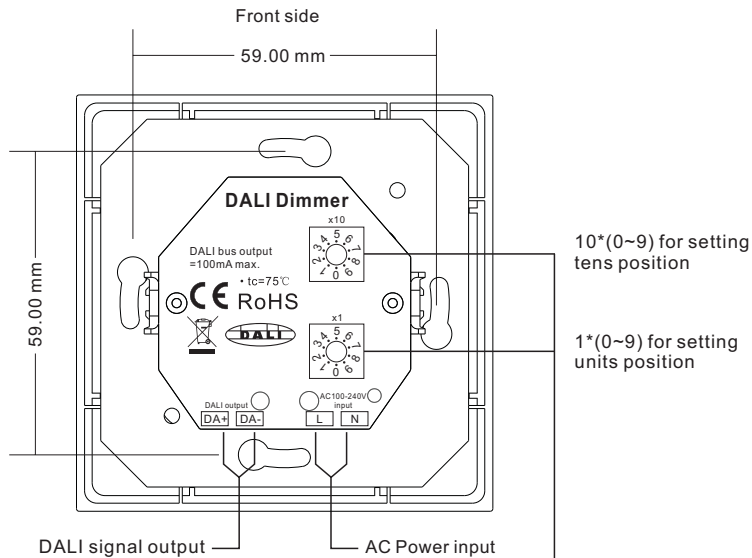
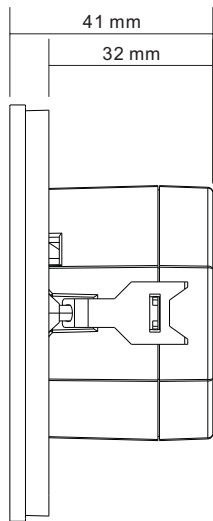
**Important:** Read All Instructions Prior to Installation

## Function introduction

4 light zones, click to select, press and hold down to turn ON/OFF



Scene button, press and hold down to save a scene, click to recall



Rotary switches for setting start DALI address number (0-63), the number equals to tens position plus units position

Back side

## Product Data

Power supply	100-240VAC/DALI bus
Output	DALI signal
Operation current	<15 mA
DALI bus output	100 mA max.
DALI consumption	4 mA
Operating temperature	0-40°C
Relative humidity	8% to 80%
Dimensions	86x86x41mm
Waterproof grade	IP20

- Touch sensitive.
- Glass interface (white & black).
- Comply to DALI standard protocol IEC 62386-102, IEC 62386-207 and in compliance with DALI products from other international incorporation.
- Built-in 100mA DALI power supply to power up to max. 50 DALI ECGs
- Powered by DALI bus while not connected to AC mains
- Max. 100 DALI ECGs on a DALI line can be controlled by 4 control panels (2 by AC mains, 2 by DALI bus)
- 4 light zones are available for switch, dimming control, each zone can control 1 DALI address.
- Enable to set start DALI address number (0-63) for the 1 zone by rotary switches on the back.
- Enable to save 4 scenes

## Safety & Warnings

- DO NOT install with power applied to device.
- DO NOT expose the device to moisture.

## Operation

**Set starting DALI address number to be controlled by rotary switches on the back:**

Set the starting number as X (0-63), 4 light zones will control 4 successive DALI addresses X, X+1, X+2 and X+3:

Zone 1 controls address X,

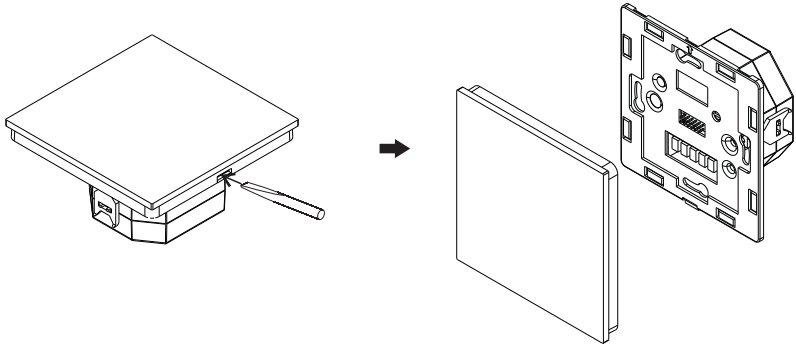
Zone 2 controls address X+1,

Zone 3 controls address X+2,

Zone 4 controls address X+3.

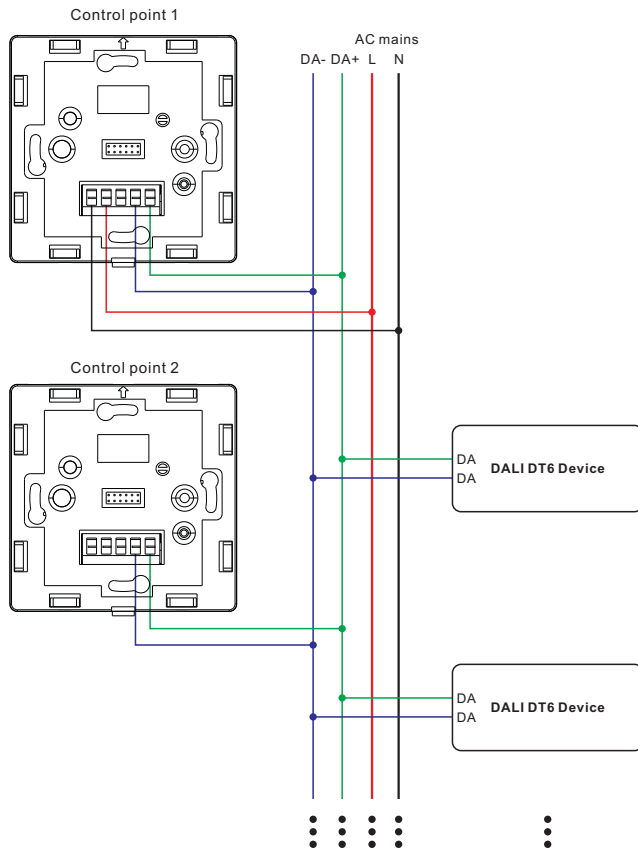
Note: Please set the DALI dimmers' address the same as the starting address set on the control panel. if X is set as 63, the panel will control DALI address 63, 00, 01 and 02.

## Installation



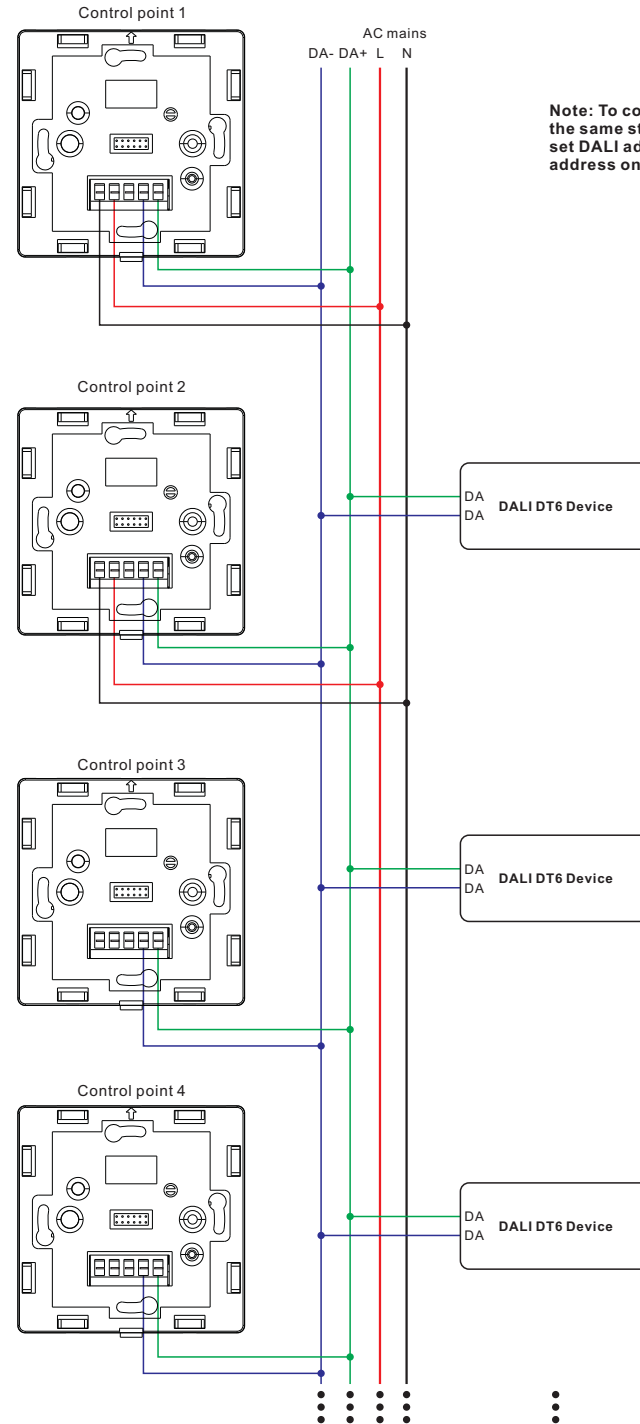
## Wiring diagram

Figure 1: Wiring scheme to control up to 50 DALI ECG or control 4 DALI addresses.



Note: once the starting address to be controlled is set on the DALI panel, to control up to 50 DALI ECG, please set DALI address of all ECGs the same as the starting address on DALI panels.

Figure 2: Wiring scheme with 2 DALI panels powered by AC mains to control up to 100 DALI ECG or control 4 DALI addresses.



Note: To control up to 100 DALI ECG by 4 panels, please set the same starting address to be controlled on 4 panels, and set DALI address of all ECGs the same as the starting address on DALI panels.