

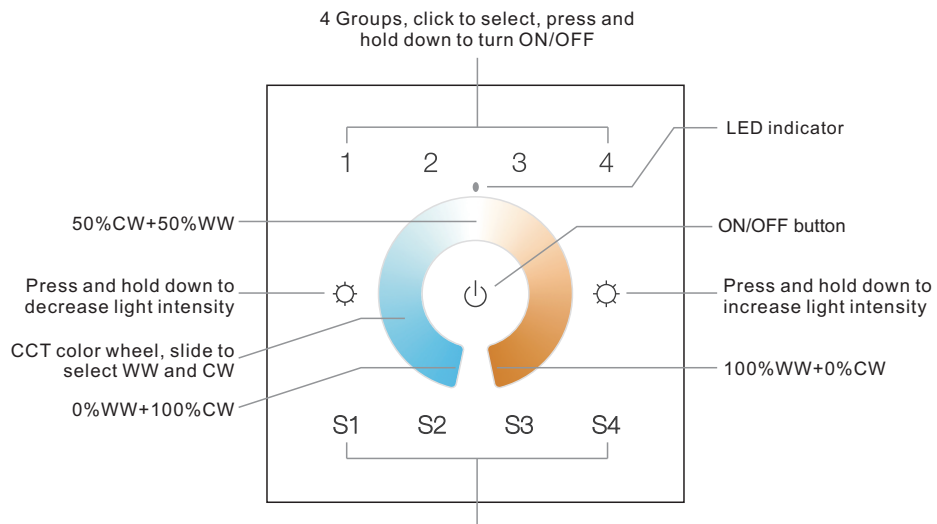
DT8 DALI Dual Color Touch Controller

70030088



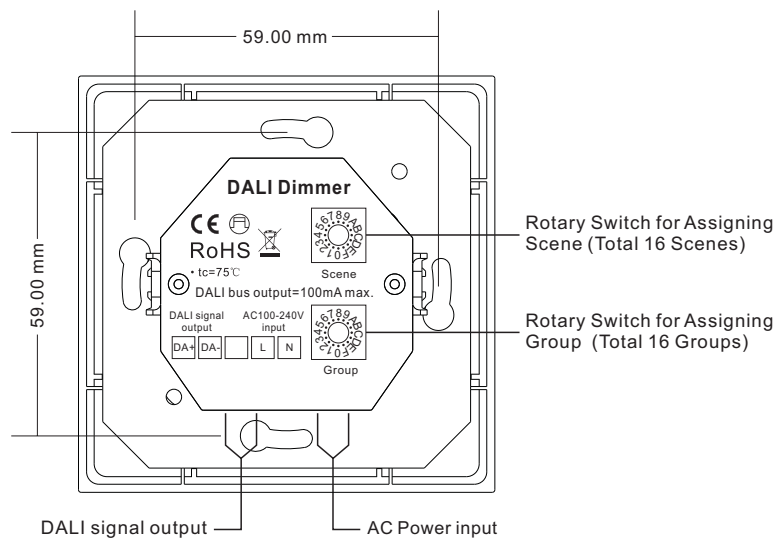
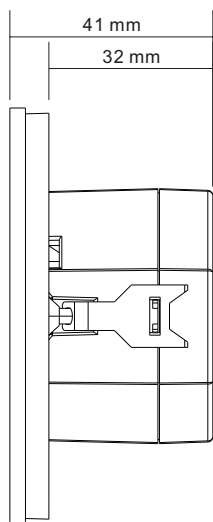
Important: Read All Instructions Prior to Installation

Function introduction



Scene button, press and hold down to save a scene, click to recall, the saved scene will cover the predefined one

Front side



Back side

Product Data

| | |
|-----------------------|---------------------|
| Power supply | 100-240VAC/DALI bus |
| Output | DALI signal |
| Operation current | <15 mA |
| DALI bus output | 100 mA max. |
| DALI consumption | 4 mA |
| Operating temperature | 0-40°C |
| Relative humidity | 8% to 80% |
| Dimensions | 86x86x41mm |
| Waterproof grade | IP20 |

- Touch sensitive, glass interface (white & black).
- Comply to DALI standard protocol IEC 62386-209
- Built-in 100mA DALI power supply to power up to max. 50 DALI ECGs.
- Powered by DALI bus while not connected to AC mains.
- Max. 100 DALI ECGs on a DALI line can be controlled by 4 control panels via broadcast (2 by AC mains, 2 by DALI bus).
- Enable to control 4 DALI Groups and 4 DALI Scenes.
- Enable to set start DALI group number (0-15) and scene number (0-15) by rotary switches on the back.
- Support DT8 devices, color temperature adjustment according to DALI specifications of Device Type 8, Color Type Tc.
- Each DT8 device is controlled via a single DALI address

Safety & Warnings

- DO NOT install with power applied to device.
- DO NOT expose the device to moisture.

Operation

1. Set starting Group number via rotary switch on the back: (0-15 selectable)

• This DALI touch panel controller enables dimming commands and DT8 commands to be sent to 4 Groups of devices on the DALI circuit. A rotary switch on the back is used to select Groups you would like to control and set the starting Group number, and total 16 Groups (0-15) can be selected.

• When the rotary switch arrow position is at 0, button 1 controls all DALI devices on the circuit via broadcast, button 2 controls DALI Group 0, button 3 controls Group 1, and button 4 controls Group 2.

• When the rotary switch arrow position is at X except 0 (1-C), button 1 controls DALI Group X-1, button 2 controls Group X, button 3 controls Group X+1, and button 4 controls Group X+2.

• When the rotary switch arrow position is at D, button 1 controls devices in DALI Group 12, button 2 controls devices in DALI Group 13, button 3 controls devices in DALI Group 14, and button 4 controls all devices through broadcast.

• When the rotary switch arrow position is at E, button 1 controls devices in DALI Group 13, button 2 controls devices in DALI Group 14, button 3 controls all devices through broadcast, button 4 controls devices in DALI Group 0.

• When the rotary switch arrow position is at F, button 1 controls devices in DALI Group 14, button 2 controls all devices through broadcast, button 3 controls devices in DALI Group 0, button 4 controls DALI group 1.

Note: all DALI slaves on the circuit shall be assigned to one or more DALI groups by DALI master first. Please refer to the detailed Group setting table as follows:

| Rotary Switch Position | 0 | 1 | 2 | 3 | 4 | 5 | 6 | 7 | 8 | 9 | A | B | C | D | E | F |
|-------------------------|-----------|---|---|---|---|---|---|---|----|----|----|----|----|-----------|-----------|-----------|
| DALI Group for button 1 | Broadcast | 0 | 1 | 2 | 3 | 4 | 5 | 6 | 7 | 8 | 9 | 10 | 11 | 12 | 13 | 14 |
| DALI Group for button 2 | 0 | 1 | 2 | 3 | 4 | 5 | 6 | 7 | 8 | 9 | 10 | 11 | 12 | 13 | 14 | Broadcast |
| DALI Group for button 3 | 1 | 2 | 3 | 4 | 5 | 6 | 7 | 8 | 9 | 10 | 11 | 12 | 13 | 14 | Broadcast | 0 |
| DALI Group for button 4 | 2 | 3 | 4 | 5 | 6 | 7 | 8 | 9 | 10 | 11 | 12 | 13 | 14 | Broadcast | 0 | 1 |

2. Set starting Scene number via rotary switch on the back: (0-15 selectable)

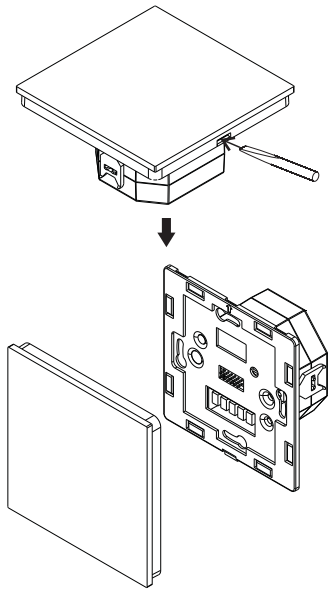
• This DALI touch panel controller enables Scene selection commands for up to 4 Scenes to be sent to the DALI circuit. A rotary switch on the back is used to select Scenes you would like to control and set the starting scene number, and total 16 Scenes (0-15) can be selected.

• When the rotary switch arrow position is at X (0-15), Scene button S1 controls Scene X, S2 controls Scene X+1, S3 controls Scene X+2, and S4 controls Scene X+3.

Please refer to the detailed Scene setting table as follows:

| Rotary Switch Position | 0 | 1 | 2 | 3 | 4 | 5 | 6 | 7 | 8 | 9 | A | B | C | D | E | F |
|------------------------|---|---|---|---|---|---|---|----|----|----|----|----|----|----|----|----|
| Scene assigned to S1 | 0 | 1 | 2 | 3 | 4 | 5 | 6 | 7 | 8 | 9 | 10 | 11 | 12 | 13 | 14 | 15 |
| Scene assigned to S2 | 1 | 2 | 3 | 4 | 5 | 6 | 7 | 8 | 9 | 10 | 11 | 12 | 13 | 14 | 15 | 0 |
| Scene assigned to S3 | 2 | 3 | 4 | 5 | 6 | 7 | 8 | 9 | 10 | 11 | 12 | 13 | 14 | 15 | 0 | 1 |
| Scene assigned to S4 | 3 | 4 | 5 | 6 | 7 | 8 | 9 | 10 | 11 | 12 | 13 | 14 | 15 | 0 | 1 | 2 |

Installation



Wiring diagram

Figure 1: Wiring scheme to control up to 50 DALI ECG via broadcast or control 4 DALI groups.

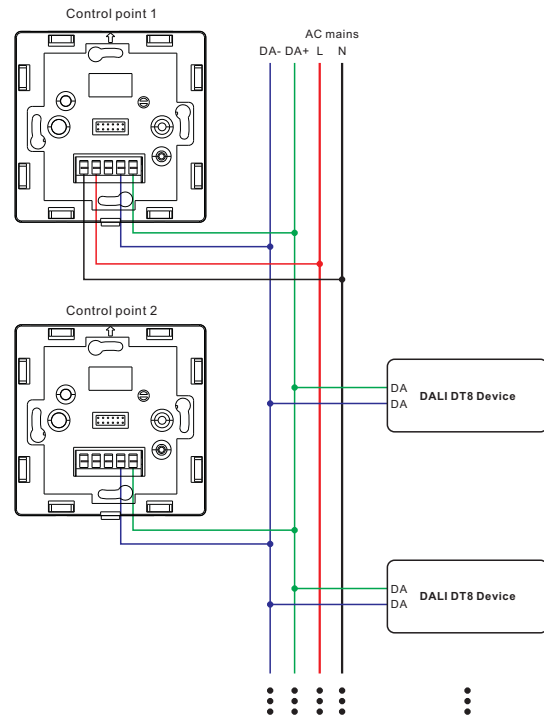
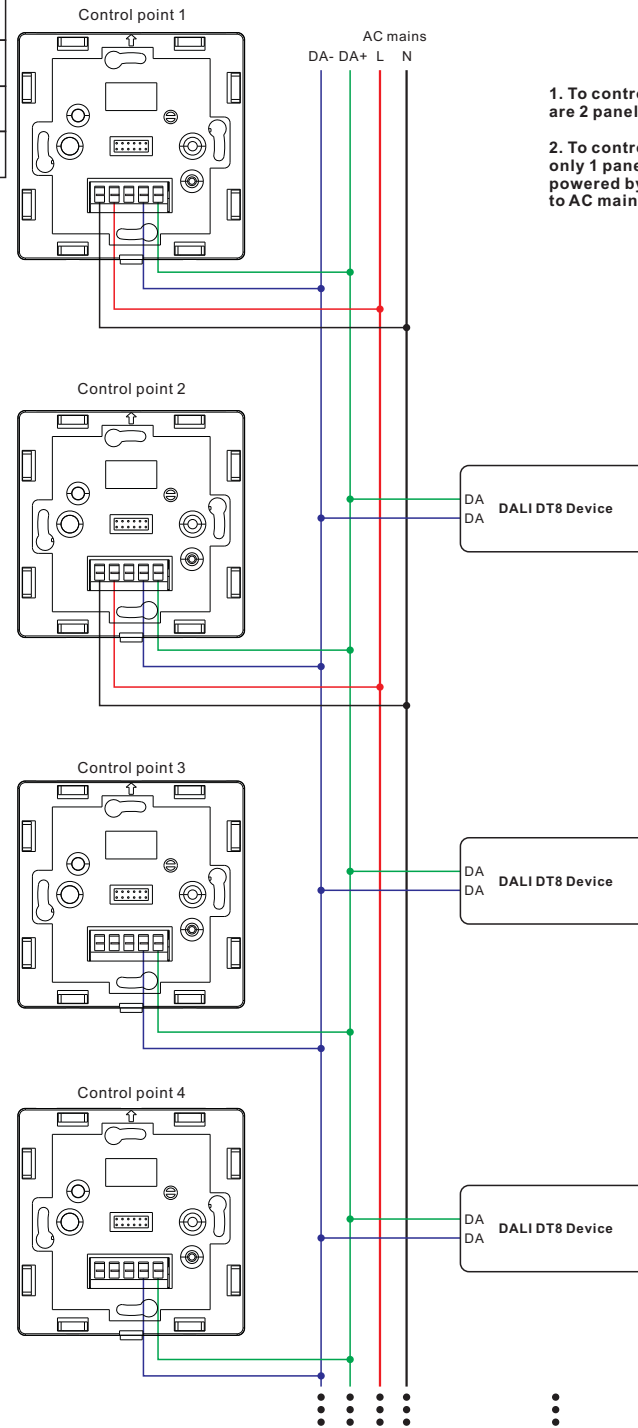


Figure 2: Wiring scheme with 2 DALI panels powered by AC mains to control up to 100 DALI ECG via broadcast or control 4 DALI groups.



1. To control up to 100 ECG with the setup (Figure 2), there are 2 panels connected to AC mains.
2. To control up to 50 ECG with the setup (Figure 1), there is only 1 panel connected to AC mains. Other panels are powered by DALI bus. Max. 2 DALI panels can be connected to AC mains in the same control circuit.