

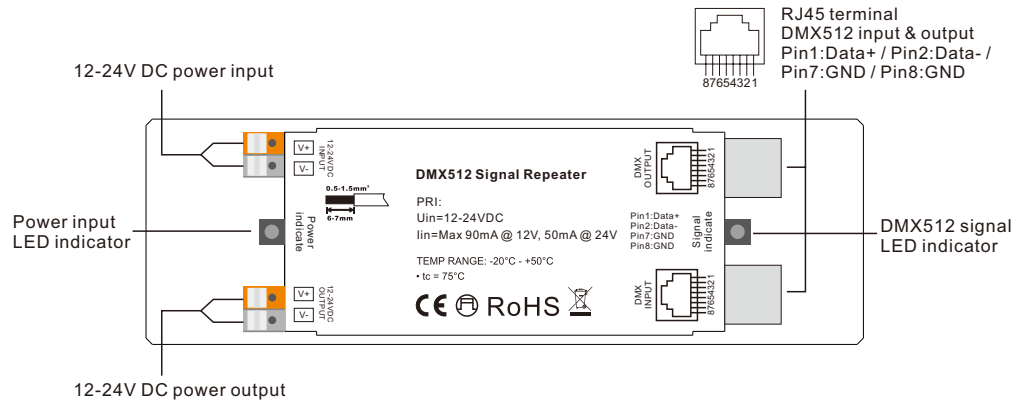
DMX512 Signal Amplifier/Repeater

09.02100RJ45.04028



Important: Read All Instructions Prior to Installation

Function introduction



Product Data

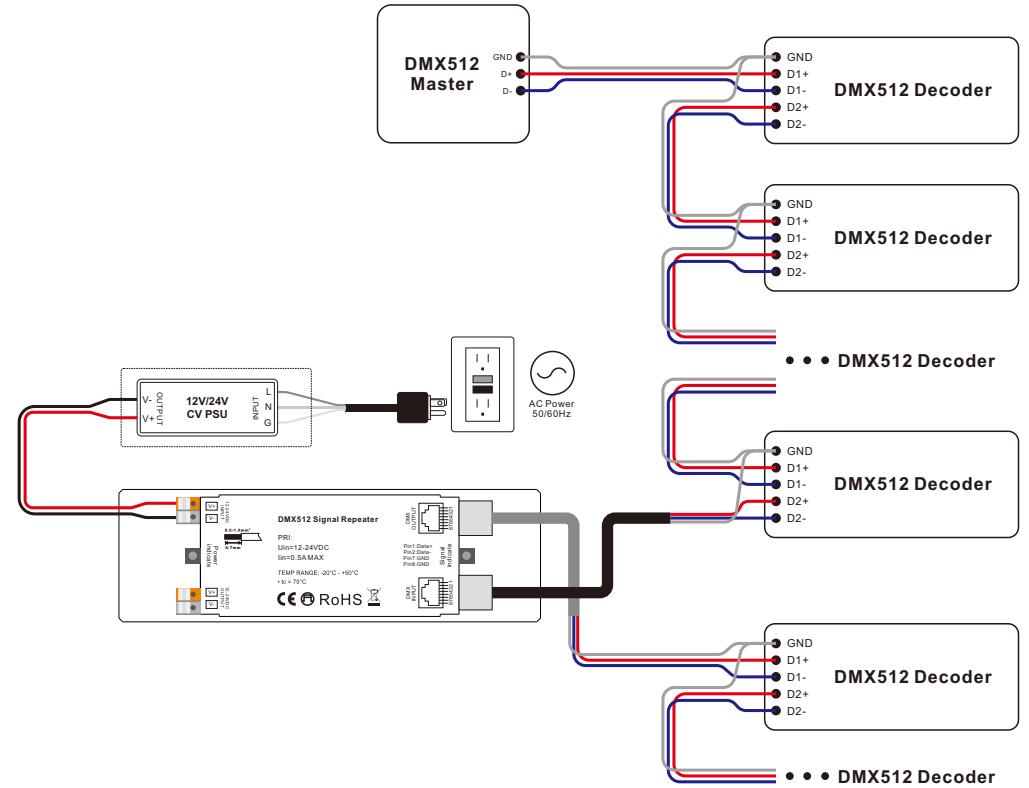
Input Voltage	Input Current	Output	Size(LxWxH)
12-24VDC	Max 90mA @ 12V, 50mA @ 24V	DMX512 signal	170x53.4x28mm

- DMX signal input & output
- Work with DMX series controller to expand DMX signal based on the actual lighting projects.
- RJ 45 terminal, easy to be connected
- Waterproof grade: IP20

Safety & Warnings

- DO NOT install with power applied to device.
- DO NOT expose the device to moisture.

Wiring Diagram



Note: Each amplifier can repeat signal for max. 12pcs DMX512 decoders in parallel within 100m range. More amplifiers are required if there are more than 12pcs decoders and the distance is further than 100m.

Product Dimension

